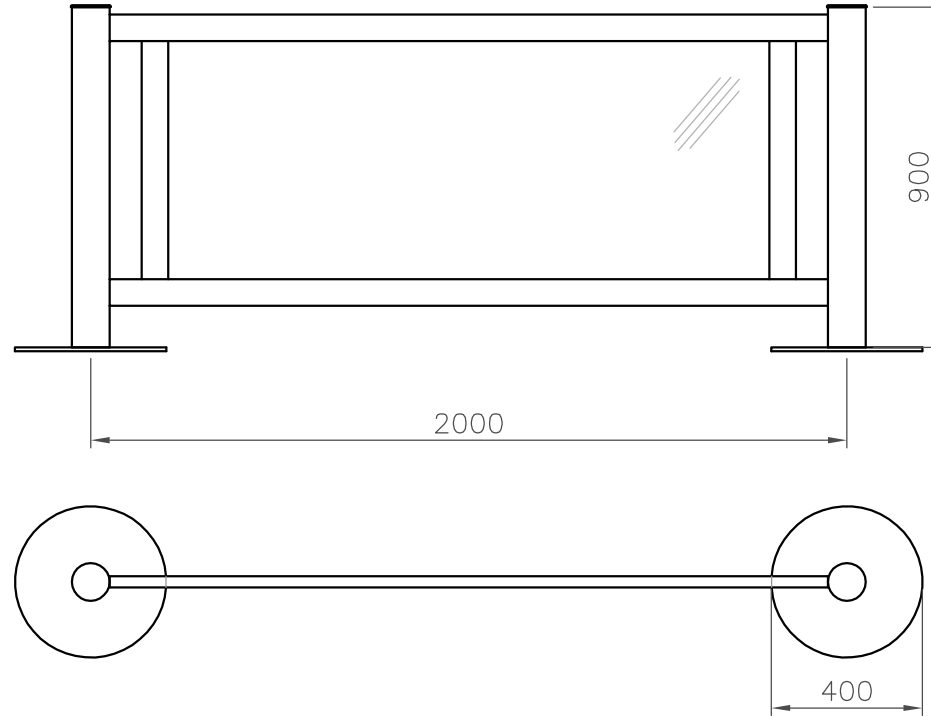


This document must not be copied without our written permission and the contents thereof must not be imparted to a third party nor be used for any unauthorized purpose. Contravention will be prosecuted.



Det.nr	Ant.	Benämning				Material	Mod.nr ämne Dimension	Anm.	
Konstr. —	Ritad AL	Kop. —	Kontr. —	Stand. —	Format A4	Skala 1:20	Generell tolerans —		
welandutemiljo.se		RESTAURANGSTAKET GLASAT STAKET GRUND 2 METER PLASTLOCK				Objektnummer —		Datum 120108	
BJÖRNSTORPSVÄGEN 2 342 30 ALVESTA		TFN 0472-44500 FAX 0472-40029		Ritningsnummer R00GP9090200FG		Rev.			

Nr.	Ant.	Ändring och/eller medd.-nr	Datum	Inf.	Godk.