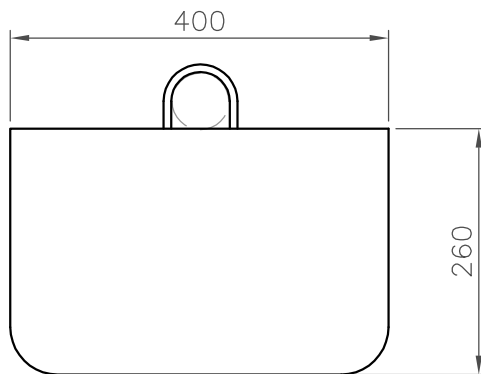
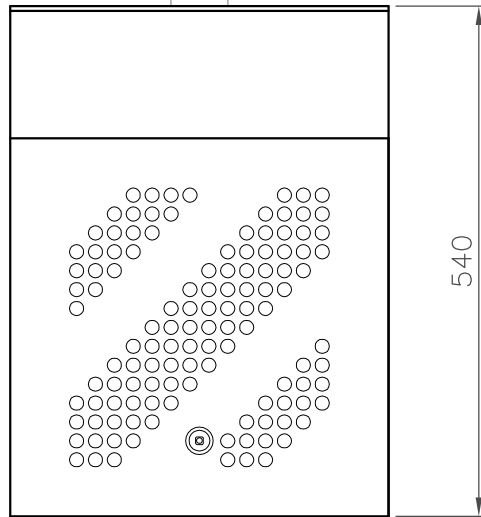
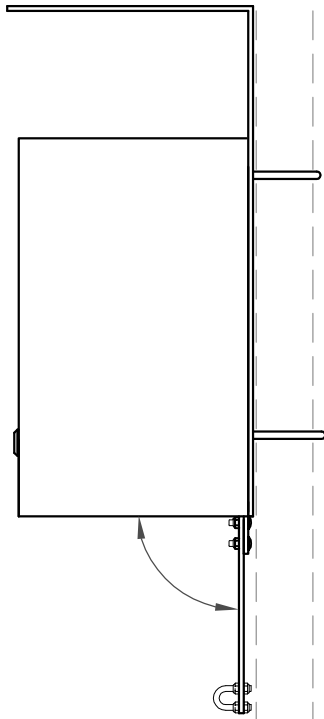


WELAND ALUMINIUM AB
 This document must not be copied without our written permission and
 the contents thereof must not be imparted to a third party nor be
 used for any unauthorized purpose. Contravention will be prosecuted.

| Nr. | Ant. | Ändring och/eller medd.-nr | Datum | Inf. | Godk. |
|-----|------|----------------------------|-------|------|-------|
|-----|------|----------------------------|-------|------|-------|



| - | | - | | - | | - | | - | | |
|--------------------------------------|----------|----------------------------------|----------|----------|-----------|---------------------------------|---------------------|----------------|--|--|
| Det.nr | Ant. | Benämning | | | Material | Mod.nr ämne Dimension | Anm. | | | |
| Konstr. - | Ritad AÅ | Kop. - | Kontr. - | Stand. - | Format A4 | Skala 1:8 | Generell tolerans - | | | |
| welandutemiljo.se | | HEDE PAPPERSKORG | | | | | Objektnummer - | Datum 20121114 | | |
| BJÖRNSTORPSVÄGEN 2 342 30 ALVESTA | | TFN 0472-44500 FAX 0472-40029 | | - | | Ritningsnummer HEDE Papperskorg | | Rev. - | | |