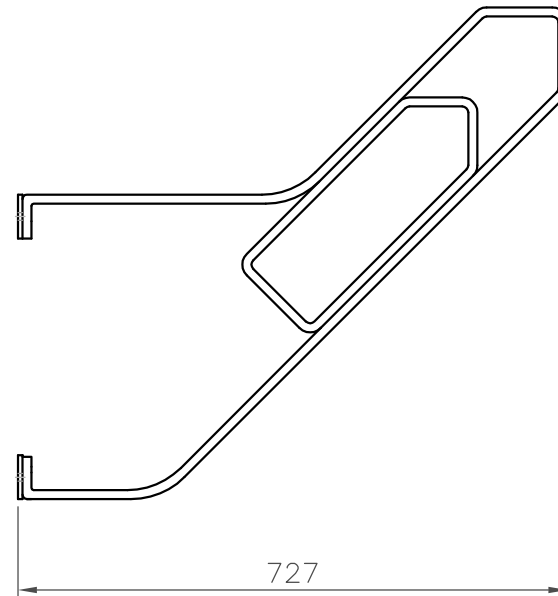
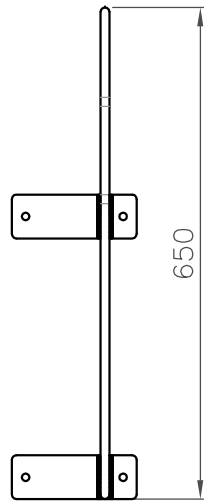


WELAND ALUMINIUM AB

This document must not be copied without our written permission and the contents thereof must not be imparted to a third party nor be used for any unauthorized purpose. Contravention will be prosecuted.



—	—	Stångmaterial $\varnothing$ 12			—	—	—
Det.nr	Ant.	Benämning			Material	Mod.nr ämne Dimension	Anm.
Konstr.	Ritad	Kop.	Kontr.	Stand.	Format	Skala	Generell tolerans
—	JB	—	—	—	A4	1:10/1:2	—
welandute <span style="font-size: small;">miljo</span> .se			Ramlås RAMBO			Objektnummer	Datum
						—	131122
						Ritningsnummer	Rev.
						RAMBO	
Nr.	Ant.	Ändring och/eller medd.-nr	Datum	Inf.	Godk.	BJÖRNSTORPSVÄGEN 2 TFN 0472-44500 342 30 ALVESTA FAX 0472-40029	

Nr.	Ant.	Ändring och/eller medd.-nr	Datum	Inf.	Godk.
-----	------	----------------------------	-------	------	-------