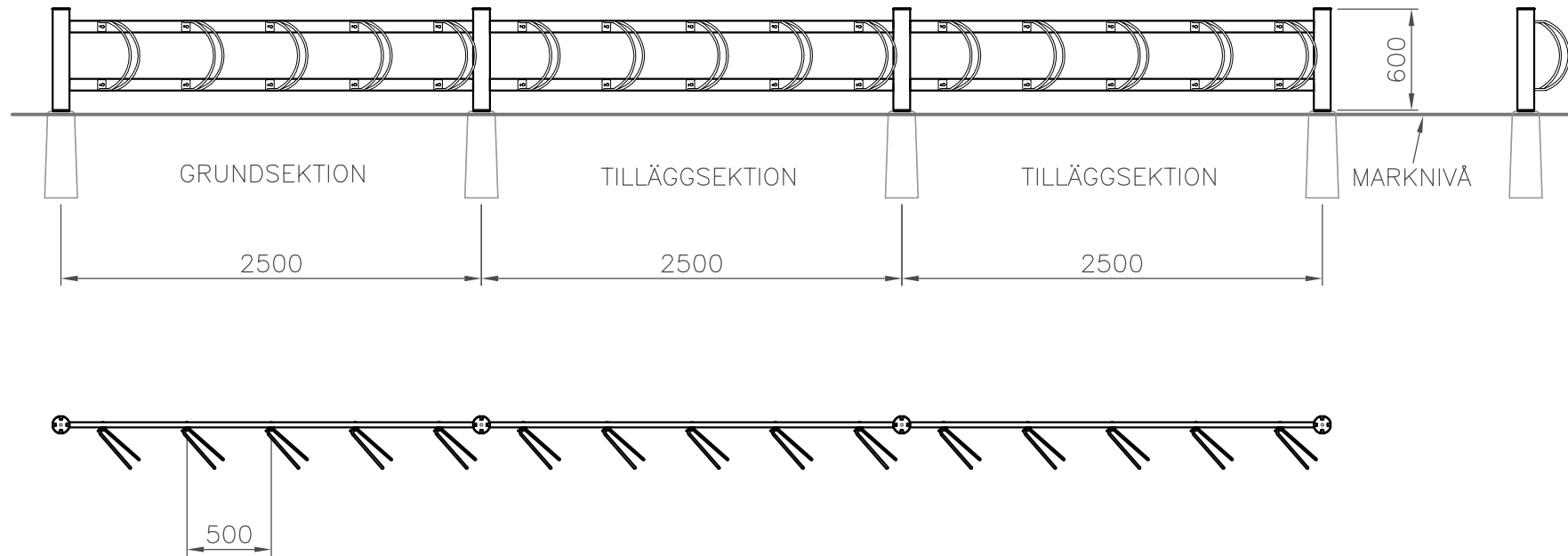


WELAND ALUMINIUM AB

This document must not be copied without our written permission and the contents thereof must not be imparted to a third party nor be used for any unauthorized purpose. Contravention will be prosecuted.



—	—	—	—	—	—	—	—	—
Det.nr	Ant.	Benämning			Material	Mod.nr.ämne dimension		Anm.
Konstr.	Ritad	Kop.	Kontr.	Stand.	Format	Skala	Generell tolerans	
—	AL	—	—	—	A4	1:40	—	
welandutemiljo.se			BIKE cykelställ med lock enkelmonterad, vinklad hjulhållare 500 c/c				Objektnummer	Datum
							—	20150119
							Ritningsnummer	Rev.
							BIKE 25 V	

Nr.	Ant.	Ändring och/eller medd.-nr	Datum	Inf.	Godk.
-----	------	----------------------------	-------	------	-------

BJÖRNSTORPSVÄGEN 2 TFN 0472-44500
342 30 ALVESTA FAX 0472-40029